

202B/212

Double chek vavles
System 02

Technical Data Sheet



Description

Double check valves consisting of a 202 and a 212 with flanges mounted with a O-ring.

- Operates in any position
- Minimum head loss
- Silent, reliable sealing, compact
- Exceptional robustness
- Does not generate hammering
- Closing system : long back axial guiding for reduced displacement
- Sealing guaranteed by a flat seal
- Return spring



202B/212

Double check valves - System 02

DN		PFA in bar	PS in bar				Cat.	Ref.	Weight Kg
"	mm		L1	L2	G1	G2			
2 1/2	65	16	16	16	15	16	I	149B96171	5,9
3	80	16	16	16	12	16	I	149B96172	11,1
4	100	16	16	16	10	16	I	149B96173	17,9

Important notice :

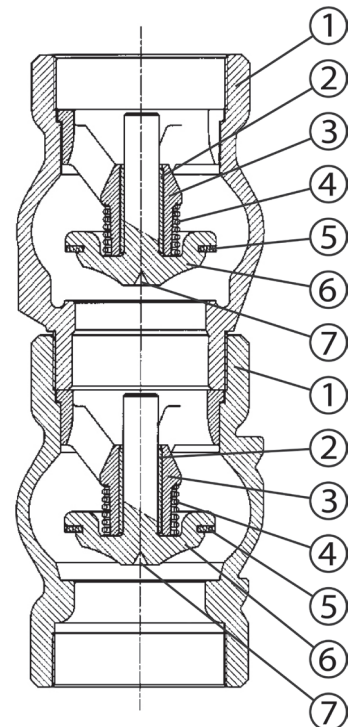
The indicated pressure for the different categories of fluids (L1/L2/G1/G2) is under no condition a guarantee of use. Therefore, it is essential to validate the use of products under given operating conditions.

Technical features

Operating temperature	-10 °C to 100 °C
Permissible operating pressure (PFA) in water	See table above
Maximum permissible pressure (PS) other mediums	See table above
Connection	Female/Female, (BSP)
Mediums	Clear liquids, gas

Nomenclature and materials

N°	Description	Materials	EURO	ANSI	
1	Body	Cast iron / Epoxy	EN 1561 EN-GJL-250	ASTM A 48 35 B	
2	Ring	Bronze	EN 1982 CuSn5Zn5Pb2-C GS		
3	Guide	DN 2 1/2	Bronze	EN 1982 CuSn5Zn5Pb2-C GS	
	Autres DN	Cast iron / Epoxy	EN 1561 EN-GJL-250	ASTM A 48 35 B	
4	Spring	Stainless steel	EN 10270-3 X10CrNi18-8	AISI 302	
5	Seal	EPDM			
6	Closing system	DN 4	Cast iron / Epoxy	EN 1561 EN-GJL-250	ASTM A 48 35 B
		Others DN : one-piece	Bronze	EN 1982 CuSn5Zn5Pb2-C GS	
7	Stem	DN 4	Bronze	EN 1982 CuSn5Zn5Pb2-C GS	



Approvals



International construction Standards :
Directive 2014/68/UE
Thread connection NF EN ISO 228-1

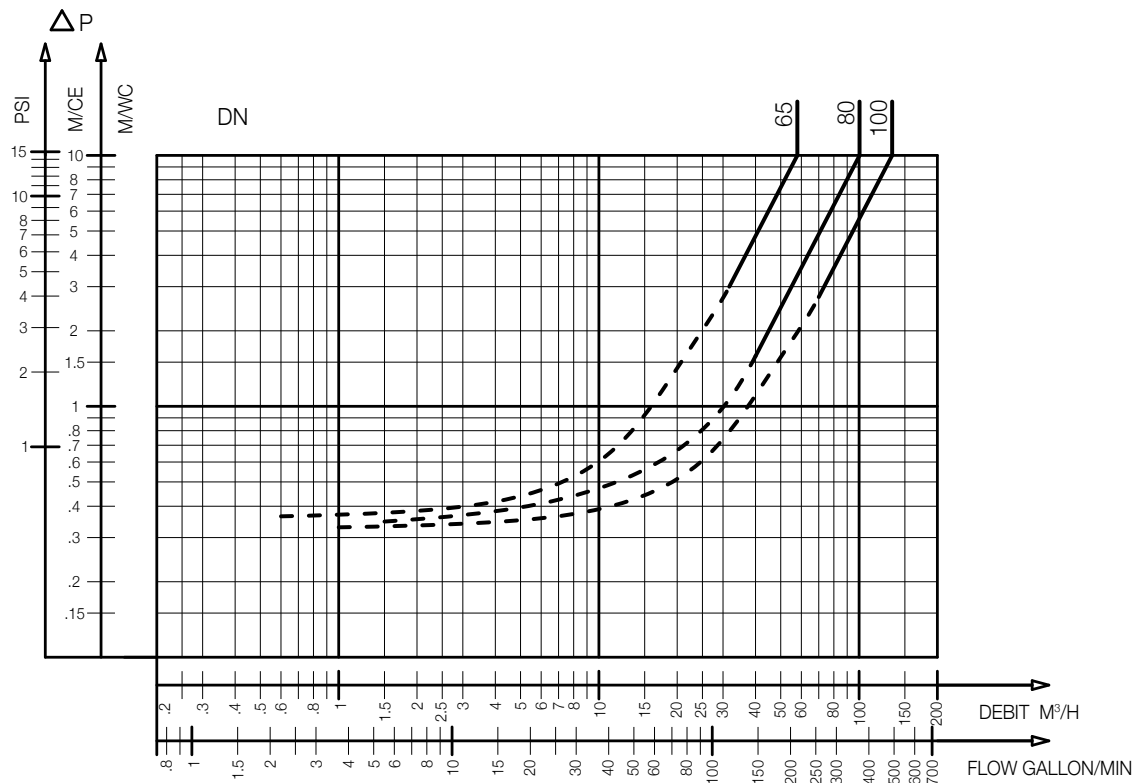
Application

Water supply, water distribution, pumping, industry.

Operation

Direction for use :

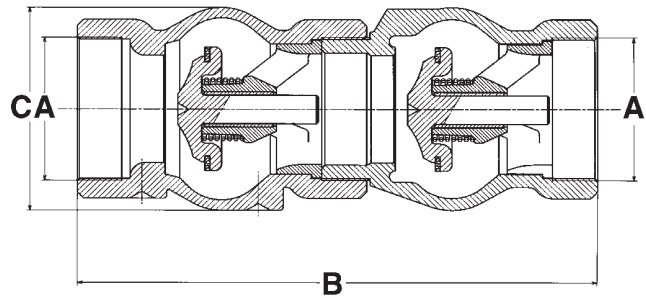
- Solid line: Valve completely open
- Dotted line: opening stage of valve



202B/212 - Headloss chart

Sizing

A		B	C
"	mm	mm	mm
2 1/2	65	263	97
3	80	312	125
4	100	362	150



202B/212

The descriptions and photographs contained in this product specification sheet are supplied by way of information only and are not binding.

Socla reserves the right to carry out any technical and design improvements to its products without prior notice. Warranty : All sales and contracts for sale are expressly conditioned on the buyer's assent to Socla terms and conditions found on its website at www.socla.com. Socla hereby objects to any term, different from or additional to Socla terms, contained in any buyer communication in any form, unless agreed to in a writing signed by an officer of Socla.



A WATTS Brand

Socla sas

365 rue du Lieutenant Putier • 71530 Virey-Le-Grand • France

Tel. +33 03 85 97 42 00 • Fax +33 03 85 97 42 42

contact@wattswater.com • www.socla.com

ISO 9001 version 2015 / ISO 18001