

# 418F/408F

Non-return valves with ball  
System B

## Technical Data Sheet



## Description

The closing system of the 418F/408F non-return valve is a self cleaning ball, lifted by the fluid and guided to a lateral seat, completely out of the way. This system provides a full-flow, even with loaded fluids, without any risk of blockage.

- Vertical ascending and horizontal operation (position of the ball above the axis of the pipe)
- Minimum head loss
- Silent, robust
- Non incrustating materials
- Sealing guaranteed by the coating of the ball



418F



408F

## 418F/408F

Non-return ball valve - B System

DN		PN	PFA in bar	Ref.	Weight Kg
"	mm				
2	50	10/16	10	<b>149B3140F</b>	5,5
2 1/2	65	10/16	10	<b>149B3141F</b>	9,1
3	80	10/16	10	<b>149B3142F</b>	13,3
4	100	10/16	10	<b>149B3143F</b>	20,9
5	125	10/16	10	<b>149B3144F</b>	27,5
6	150	10/16	10	<b>149B3145F</b>	35,7
8	200	10	10	<b>149B3146F</b>	63,7
10	250**	10	10	<b>149B2907F</b>	128,9
12	300**	10	10	<b>149B2908F</b>	220,1
14	350**	10	10	<b>149B2909F</b>	345,6

\*\*Type 408

NB : PN16 version : Please consult us

### Important notice :

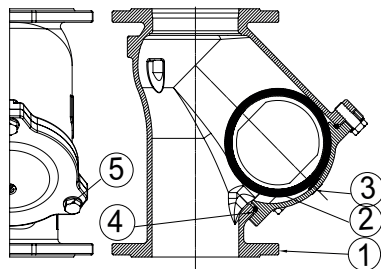
The indicated pressure for the different categories of fluids (L1/L2/G1/G2) is under no condition a guarantee of use. Therefore, it is essential to validate the use of products under given operating conditions. The operating instructions are available on our website [www.socla.com](http://www.socla.com) or by requesting from our sales department.

### Technical features

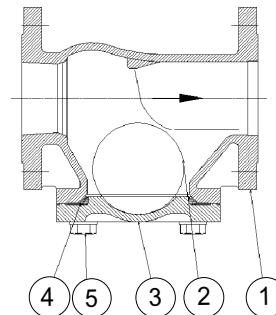
Operating temperature	-10 °C to 60 °C
Permissible operating pressure (PFA) in water	See table above
Maximum permissible pressure (PS) other mediums	See table above
Connection	Flanges drilled PN (see table)
Mediums	Thick liquids, viscous liquids, loaded liquids

### Nomenclature and materials

Type 418F



Type 408F



N°	Description	Materials	EURO	ANSI
1	Body	Epoxy coated cast iron	EN-GJS-400.15	ASTM A 536 60-40-18
2	Ball	NR coated steel		
3	Cover	Epoxy coated cast iron	EN-GJS-400.15	ASTM A 536 60-40-18
4	Seal	NBR		
5	Screw-washer	Stainless steel	X5Cr-Ni18-10	AISI 304
	Except nut (Fig 408F)	Galvanised steel		

## Approvals



### International construction Standards :

Flange drilling according to EN1092-2

Length according to EN558 48 serie (except DN 350: type 408F)

## Application

Used as a suction cup or against wasted water backflows.

## Installation

### Installation :

Before putting valve into operation, check that:

- the working conditions are compatible with the details given on the identification plate, the instruction notice and the manufacturer's detail,
- the valve works effectively when tried (carry out a few opening and closing operations of the closing system),
- the valve is free-pollution inside.

On a new installation or after maintenance, the circuit must be rinsed with the valve completely open in order to remove solid matter which may damage the internal parts of the valve.

### Commissioning :

The installation should be put under pressure progressively to avoid damage which might occur to internal components. Make sure that when flow stops the valve maintains pressure well and that there is no water-hammer which might damage the valve or installation. If there is water-hammer, an anti-water hammer system must be added to the installation.

During a prolonged stoppage, a change in the state of the fluid may result in damage when the installation is brought back into service (solidification...). Establish an adequate procedure program for cleaning the system.

## Maintenance

### • Removing :

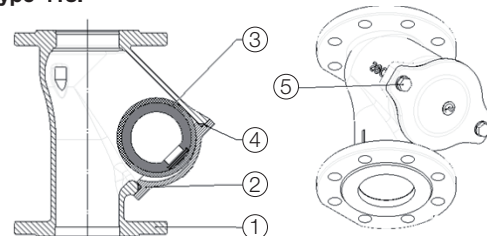
1. Unscrew the support screw assembly (N°5)
2. Remove the cover (N°2)
3. Remove the O-ring (N°4)
4. Tip over the body (N°1) for remove the ball (N°3)

### • Reassembly :

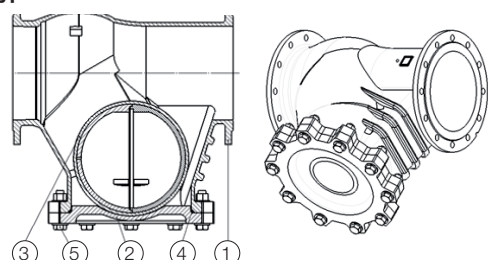
Before reassembling the valve, check the condition of the seal. If necessary, clean and grease it by using appropriate grease.

1. Place the ball (N°3) in the body (N°1)
2. Put in place the O-ring (N°4) on the cover (N°2)
3. Put in place the cover (N°2) on the body (N°1)
4. Tighten the screw assembly (N°5) to the contact and then :
  - a. Tighten to the couple of 35 Nm for the FIG.418 up to DN100 included
  - b. Tighten with a suitable tool for the others references

Type 418F



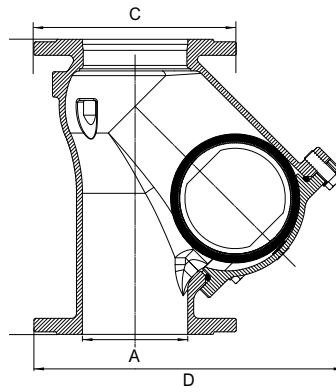
Type 408F



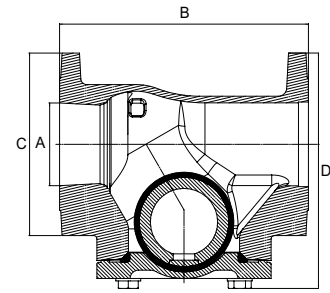
## Sizing

DN A		B	C	D
"	mm	mm	mm	mm
2	50	200	165	173
2 1/2	65	240	185	214
3	80	260	200	252
4	100	300	220	289
5	125	350	250	368
6	150	400	285	424
8	200	500	340	509
10**	250	600	400	582
12**	300	700	455	721
14**	350	875	505	820

\*\*Type 408



**Type 418F**



**Type 408F**

The descriptions and photographs contained in this product specification sheet are supplied by way of information only and are not binding.

Socla reserves the right to carry out any technical and design improvements to its products without prior notice. Warranty : All sales and contracts for sale are expressly conditioned on the buyer's assent to Socla terms and conditions found on its website at [www.socla.com](http://www.socla.com). Socla hereby objects to any term, different from or additional to Socla terms, contained in any buyer communication in any form, unless agreed to in a writing signed by an officer of Socla.



**A WATTS Brand**

**Socla sas**

365 rue du Lieutenant Putier • 71530 Virey-Le-Grand • France

Tel. +33 03 85 97 42 00 • Fax +33 03 85 97 42 42

[contact@wattswater.com](mailto:contact@wattswater.com) • [www.socla.com](http://www.socla.com)

ISO 9001 version 2015 / ISO 18001