

457 B

Membrane non-return valve

M system

Technical Data Sheet



Description

This valve is designed for installations that generate significant water hammer. It is very reliable and quiet (no mechanical moving parts, anti-incrustation closing system and seat). Ideal for booster pumps, sprinkler systems, motor or electric pump units and compressed air circuits. On membrane check valves, the opening set by the elasticity and the thickness of the membrane is very progressive and can be obtained as a result of a few centimeters of W/C. Because of this, this check valve is particularly suitable for variable flow pumps and pulsatory operation.

- Operates in any position
- Does not generate hammering
- Sealing ensured by membrane's self-closing
- Gas drilled bosses 1/2"
- Closing system: flexible membrane (thick elastomer disc) held in its center on a metal seat composed of a grid (flow equivalent to the nominal section)



457 B

Membrane non-return valve - M system

DN	PN	PFA in bar	PS in bar				Cat.	Ref.	Weight Kg	
			L1	L2	G1	G2				
2 1/2	65	10/16	16	16	16	15	16	I	149B2931	11,9
3	80	10/16	16	16	16	12	16	I	149B2932	16,5
4	100	10/16	16	16	16	10	16	I	149B2933	26,3
5	125	10/16	16	16	16	0,5	16	I	149B2934	33,2
6	150	10/16	16	13	16	0,5	16	I	149B2935	49,8
8	200	10	10	10	10	0,5	10	I	149B2936	87,3

Important notice :

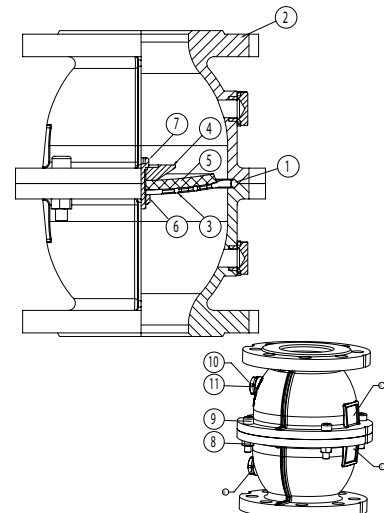
The indicated pressure for the different categories of fluids (L1/L2/G1/G2) is under no condition a guarantee of use. Therefore, it is essential to validate the use of products under given operating conditions. The operating instructions are available on our website www.socla.com or by requesting from our sales department.

Technical features

Operating temperature	-10 °C to 60 °C
Permissible operating pressure (PFA) in water	See table above
Maximum permissible pressure (PS) other mediums	See table above
Connection	Flanges drilled PN (see table)
Mediums	Water, clear liquids

Nomenclature and materials

N°	Description	Materials	
1	O-ring	EPDM	
2	Body	Cast iron / Epoxy GJL-250	
3	Seat	Stainless steel	
4	Cup	DN 65	Stainless steel 430
		DN 80-200	Brass CW617N-DW
5	Membrane	EPDM	
6	Nut	Stainless steel 304	
7	Screw	Stainless steel 304	
8	Nut	Galvanised steel	
9	Screw	Stainless steel 304	
10	Plug	Brass	
11	Seal	EPDM	



Approvals

ACS  PED 2014/68/UE

International construction Standards :

CE conformity Directive 97/23/UE
 Flange drilling according to EN1092-2
 Length according to EN558-1 48 serie

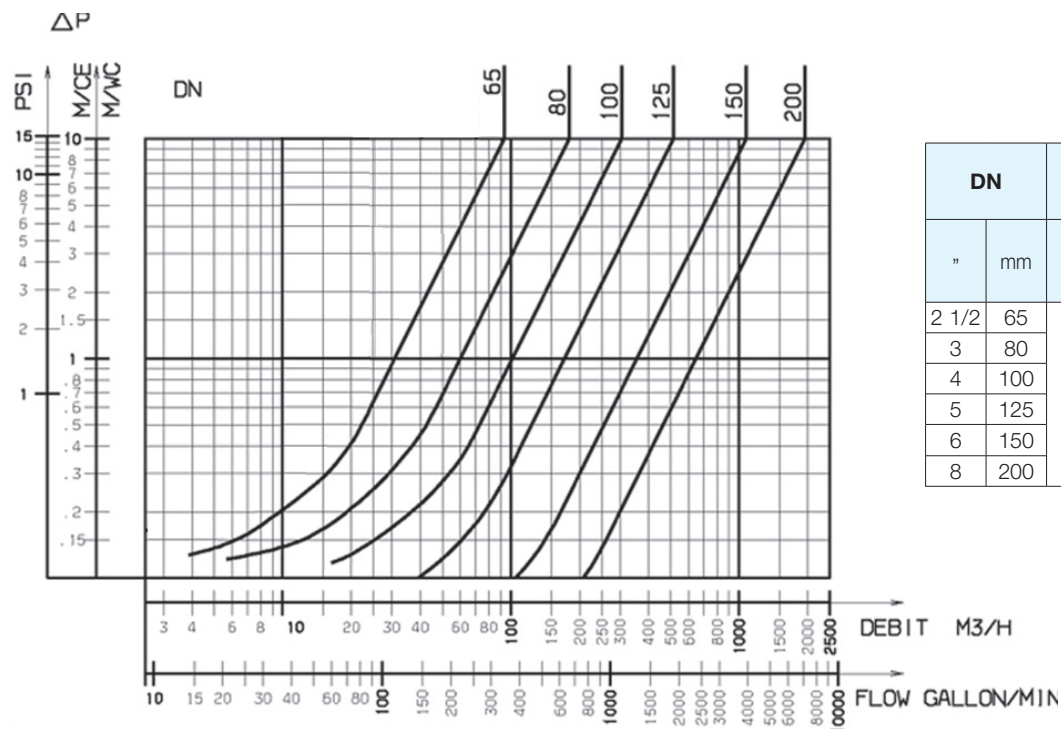
Application

water network. variable flow

Operation

Direction for use :

- Solid line: Valve completely open

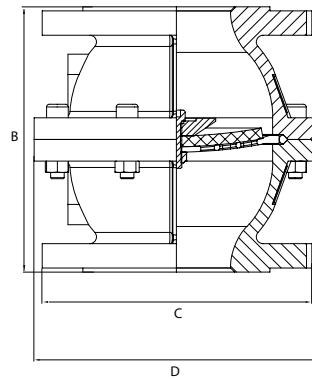


DN		Opening pressure in mm/CE	Kv	ζ
"	mm			
2 1/2	65	Near to 0	78,4	4,55
3	80		157,0	2,60
4	100		255,0	2,40
5	125		448,9	1,90
6	150		966,4	0,85
8	200		2044,8	0,60

457 B - Headloss chart

Sizing

DN		B	C	D
"	mm	mm	mm	mm
2 1/2	65	240	185	169
3	80	260	200	212
4	100	300	220	234
5	125	350	250	250
6	150	400	285	324
8	200	500	340	426



457 B

The descriptions and photographs contained in this product specification sheet are supplied by way of information only and are not binding.

Socla reserves the right to carry out any technical and design improvements to its products without prior notice. Warranty : All sales and contracts for sale are expressly conditioned on the buyer's assent to Socla terms and conditions found on its website at www.socla.com. Socla hereby objects to any term, different from or additional to Socla terms, contained in any buyer communication in any form, unless agreed to in a writing signed by an officer of Socla.



A WATTS Brand

Socla sas

365 rue du Lieutenant Putier • 71530 Virey-Le-Grand • France

Tel. +33 03 85 97 42 00 • Fax +33 03 85 97 42 42

contact@wattswater.com • www.socla.com

ISO 9001 version 2015 / ISO 18001