

BA BM CD

Backflow preventer with verifiable reduced pressure zone with angled funnel for vertical descending installations

Technical Data Sheet



Description

The BA BM CD backflow preventer protects the drinking water network by interrupting the continuity of the supply, emptying and evacuating to waste in case of danger of water being turned back into the main pipeline.

- Easy maintenance thanks to modular sub-sets
- Compact design and space-saving
- Piston technology on the relief valve, without membrane : easy mounting/dismantling, reinforced longevity
- Reduced head losses
- Easy access
- High quality materials
- Connection: Male threaded union nuts (BSP) ISO 228-1



BA BM CD

Backflow preventer with verifiable reduced pressure zone with angled funnel for vertical descending installations

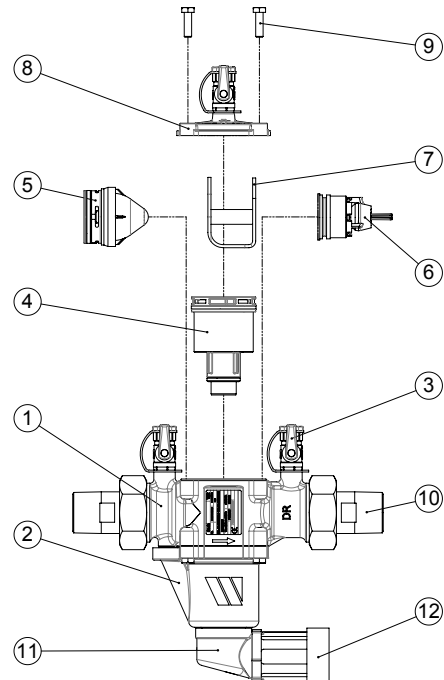
DN		PFA in bar	Acoustic group	Ref.	Weight Kg
"	mm				
1/2	15	10	I	149B70018	1,4
3/4	20	10	I	149B70019	1,45
1	25	10	I	149B70020	3
1 1/4	32	10	I	149B70021	2,9
1 1/2	40	10	-	149B70022	6,8
2	50	10	-	149B70023	7

Technical features

Operating temperature	Maxi. 65 °C
Permissible operating pressure(PFA) in water	10 bar
Connection	Male/male, BSP
Mediums	Drinking water

Nomenclature and materials

N°	Description	Materials	EURO
1	Body	Brass DZR	EN12165-CW625N-DW-H070
2	Relief valve body	PA	Grivory HT1V-4
3	Test cock pressure	Brass DZR	EN12165-CW625N-DW-H070
4	Relief valve module	Stainless steel	EN10213-1.4408+AT
		POM	Hostaform C13031
		Brass	EN12164-CW625N-DW-R320
5	Upstream valve	EPDM	
		Stainless steel	EN10270-3-1.4310
		POM	Hostaform C13031
6	Downstream valve	Brass	EN12164-CW625N-DW-R320
		EPDM	
		Stainless steel	EN10270-3-1.4310
7	Bearing	POM	Hostaform C13031
		Brass	
8	Cover	Stainless steel	EN10088-3-1.4301
9	Screws	Brass DZR	EN12165-CW625N-DW-H070
10	Socket	Stainless steel	A2
11	Elbow	Brass DZR	EN12165-CW625N-DW-H070
12	Funnel	PA	PA2200
		PVC	BENVIC IH006/G096



Approvals

Approvals BA BM:



International construction Standards:

EN 1717 - EN12729

Thread connection according to EN ISO 228-1 / ISO 7.1

Application

Designed to protect drinking water supply networks against the backflow of risk fluids up to category 4 according to EN1717.

The device is designed to prevent any backflow of polluted water into the drinking water supply network as a result of back pressure or back siphonage when the pressure upstream of the device is lower than the pressure downstream of it.

For systems liable to generate pollution risks such as:

- Professional networks: industrial facilities, surface treatment, chemical industry
- Sanitary networks: hospitals, laboratories, dialysis centers, water treatment
- Technical networks: heating, air conditioning, irrigation, water dispensers, sprinklers

Installation

Directions for installation:

- total accessibility
- non-submersible installation
- purge carefully all air from the installation(non polluted atmosphere)
- the discharge valve must be able to cope with the discharge flow rate
- protection against frost or extreme temperatures
- in the case of an upstream diversion in the area right in front of the RPZ, it is necessary to install a check valve between the diversion and the RPZ.
- always manipulate the upstream valve slowly.

The protection device must be installed by a qualified technician.

Installation specification:

The correct installation requires:

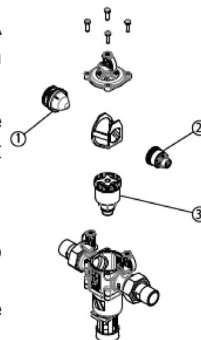
- upstream : ball valve fitting + filter (with drain cock)
- downstream : ball valve fitting
- Flow direction stipulated by the arrow must be respected in vertical descending

Maintenance

• Testing: In accordance with national statutory regulations, BA backflow preventers must be regularly inspected(once a year in most countries) by an authorized maintenance technician.

An annual functional test of the backflow preventer must be done with a test kit with pressure gauge and hoses. This test equipment must be checked once every two years at least.

• Repair kits: Repair kits are available and make it possible to replace the specific defective part on the BA backflow preventer. The kit consists of: one upstream valve assembly(1), one downstream valve assembly(2), one relief valve assembly(3).

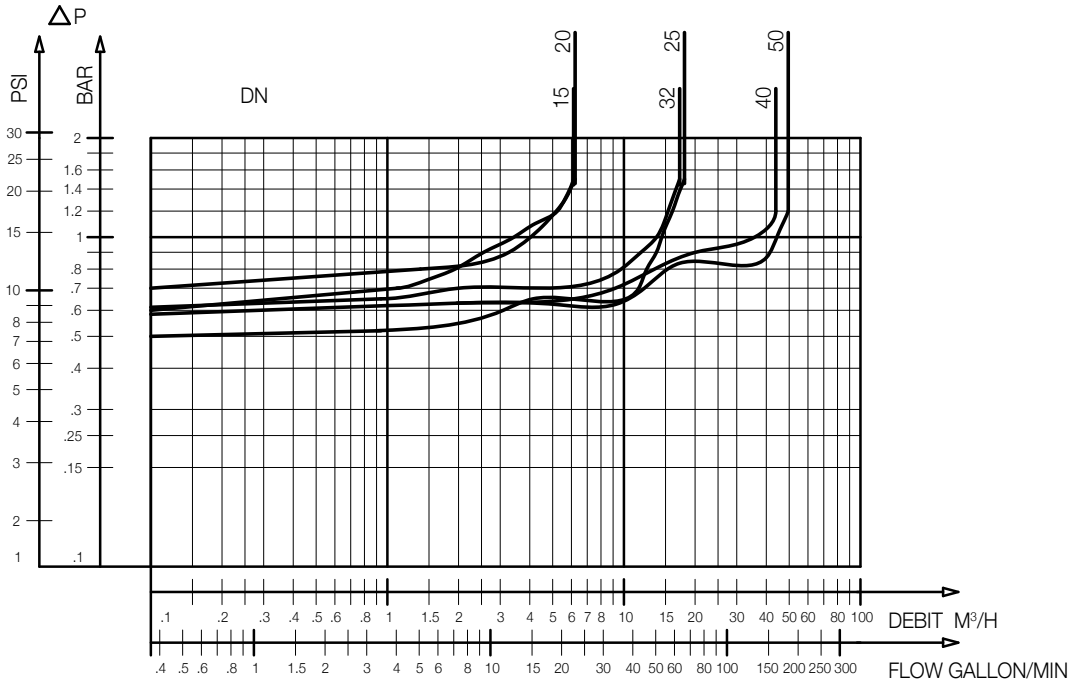


Ref.	DN		Ref.
Backflow preventers	"	mm	Repair kit
149B70018	1/2	15	149B1391
149B70019	3/4	20	149B1391
149B70020	1	25	149B1393
149B70021	1 1/4	32	149B1393
149B70022	1 1/2	40	149B1395
149B70023	2	50	149B1395

Operation

Direction for use :

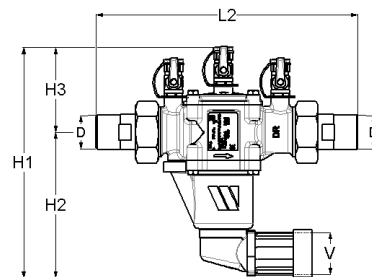
- Solid line: Valve completely open



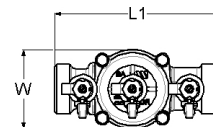
BA BM CD - Headloss chart

Sizing

D	DN	V	L1	L2	H1	H2	H3	W
mm	"	mm	mm	mm	mm	mm	mm	mm
15	1/2	32	122	201	168,5	103	65,5	53
20	3/4	32	122	201	168,5	103	65,5	53
25	1	40	157	252	238	156	82	76
32	1 1/4	40	157	252	238	156	82	76
40	1 1/2	50	220	336	303,5	202,5	101	115
50	2	50	220	336	303,5	202,5	101	115



BA BM CD



The descriptions and photographs contained in this product specification sheet are supplied by way of information only and are not binding.

Socla reserves the right to carry out any technical and design improvements to its products without prior notice. Warranty : All sales and contracts for sale are expressly conditioned on the buyer's assent to Socla terms and conditions found on its website at www.socla.com. Socla hereby objects to any term, different from or additional to Socla terms, contained in any buyer communication in any form, unless agreed to in a writing signed by an officer of Socla.



A WATTS Brand

Socla sas

365 rue du Lieutenant Putier • 71530 Virey-Le-Grand • France

Tel. +33 03 85 97 42 00 • Fax +33 03 85 97 42 42

contact@wattswater.com • www.socla.com

ISO 9001 version 2015 / ISO 18001