

C 101 low rate

Control valve

Pressure reducing valve

Technical data sheet



Description

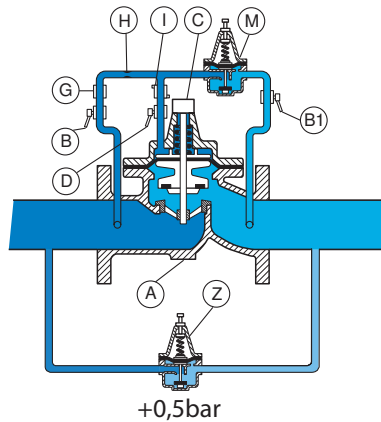
NB : Additional information is available on the data sheet listed as «Main valve».



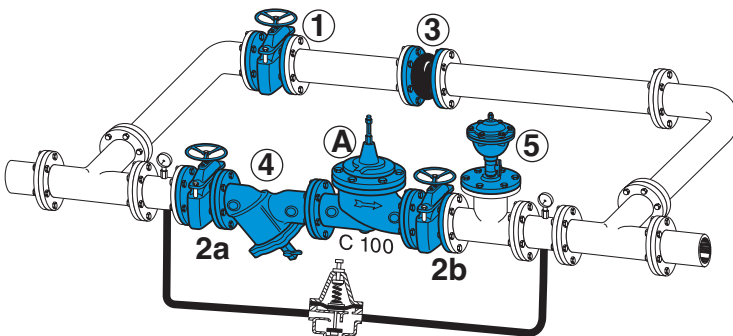
- This valve controls and maintains a reduced downstream pressure regardless of variations in demand and upstream pressure (the setting of downstream pressure is always below the upstream pressure).
- This valve reduces the pressure in networks of water distribution, irrigation or pump outlet.
- Thanks to the pressure reducing valve, the control valve do not have to react by low rates.

Operation

As soon as the downstream pressure decreases slowly, the pressure reducing valve reacts at first, followed by the control valve, if the flow rate is too important. As soon as the downstream pressure rises, the control valve closes at first, followed by the pressure reducing valve.



Installation



Setting range :

- 0,4 to 5,51 bar
- 1,72 to 8,5 bar (standard) • 2,06 to 24,5 bar

Installation :

- install a strainer upstream
- install an air relief valve downstream or at the high point near the control valve..
- horizontal setting up : the cap of the valve should be oriented to the top and inclined at 45° maximum.
- vertical setting up : change the spring of the main valve (option 7).

Other types :

- FKM seals in the main valve and in the pilot
- 316TI stainless steel fittings

Approvals

ACS WRAS

Nomenclature

N°	Description	Materials
A	Main valve	Ductile iron (except DN 125: cast iron)
B	Upstream isolation valve	nickel-plated brass
B1	Downstream isolation valve	nickel-plated brass
C	Position indicator with drain	Stainless steel or brass
D	Chamber isolation valve	nickel-plated brass
G	Filter	Brass
H	Orifice needle valve	Stainless steel or brass
I	Flow control	Brass
M	Pilot C101	Brass-stainless steel-bronze
Z	Pressure reducing valve type 10	Bronze
1	Isolation valve of the by-pass	
2a	Upstream isolation valve of the main water pipe	
2b	Downstream isolation valve of the main water pipe	
3	Rubber expansion joint	
4	Filter	
5	Single function air valve	

Les descriptions, photographies et illustrations contenues dans cette fiche technique sont fournies seulement à titre informatif et ne sont pas contractuelles. Socla se réserve le droit d'apporter toute modification technique ou esthétique à ses produits sans aucun avertissement préalable. Garantie : toutes les ventes ou contrats de vente sont expressément conditionnés à l'acceptation par l'acheteur des conditions générales de vente Socla figurant sur notre site internet. Socla s'oppose ainsi à toute autre modalité, différente ou additionnelle des modalités Socla, quel que soit le support de communication de l'acheteur dans laquelle elle est contenue ainsi que sa forme, à moins d'un accord écrit spécifique signé par un dirigeant de Socla.



A WATTS Brand

Socla sas

365 rue du Lieutenant Putier • 71530 Virey-Le-Grand • France

Tél. +33 03 85 97 42 00 • Fax +33 03 85 97 42 42

contact@wattswater.com • www.socla.com

ISO 9001 version 2015 / ISO 18001