

Multi 7

Pressure reducing valves

Desbordes

Technical Data Sheet



Description

The Desbordes pressure reducing valves MULTI 7 bodies are made of bronze. Due to their design, they are not affected by scale or dirt and do not need any maintenance. They can be fitted on compressed air, neutral gases and fuel oil at ambient temperature circuits. For these cases of applications consult us.

- Control and maintain the downstream pressure at an adjustable reduced value, whether there is a flow or not
- Keep an outlet pressure at a constant value, even by variation of the upstream pressure (the down-stream pressure cannot vary more than 10 % of the variation of the upstream pressure, according to the Standard)
- Guarantee a high flow rate at a constant outlet pressure because of low head loss
- Downstream setting : 1,5 bar to 5.5 bar; indicative value according to EN1567
- Adjustable : supplied pre-set at 3 bar
- Equipped with 2 plugs 1/4" on each side to allow the mounting of downstream pressure gauge and drain
- Delivered with 3 nuts allowing 16 different connecting possibilities in 1/2" and 3/4"



MULTI 7

Desbordes pressure reducing valves

DN		PFA in bar	PS in bar				Cat.	Ref.	Weight Kg
"	mm		L1	L2	G1	G2			
3/4	20	16	16	16	x	16	4.3	149B7540	0,64*

* Without nuts

Important :

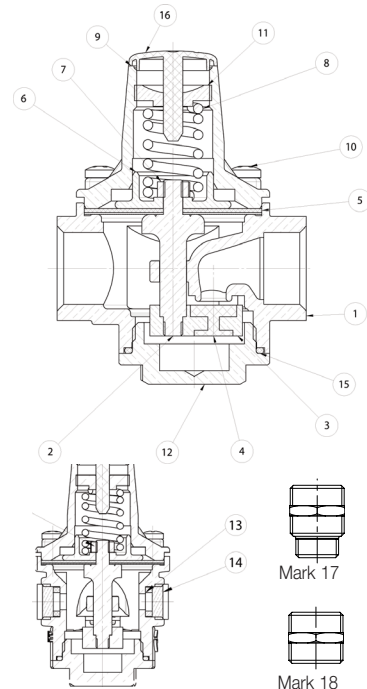
L1, L2, G1 and G2 correspond to liquids/gas classified into degree of danger according to the Pressure Equipment Directive (PED). The article 3.3 applies to equipments with no CE marking.

Technical features

Operating temperature	Mini. : -10 °C / Maxi. in permanent service : 80 °C
Permissible operating pressure (PFA) in water	See table above
Maximum permissible pressure (PS) other mediums	See table above
Connection	Female/female, BSP thread
Gauge connection	1/4"
Mediums	Water, other mediums : consult us

Nomenclature and materials

N°	Designation	Materials	EURO	ANSI
1	Body	Bronze	EN1982 CuPb5Zn5Sn5-C	ASTM B 505
2	Stem	DZR Brass	EN12164 CuZn36PbAs R350	
3	Seal box	Brass	EN12164 CuZn39Pb3 R360 mini	ASTM B 124
4	Seal	EPDM		
5	Membrane	EPDM		
6	Membrane washer	Brass	EN12164 CuZn39Pb3 R360 mini	ASTM B 124
7	Nut	Stainless steel	EN10088-3 X5CrNi 18-10	AISI 304
8	Spring	Anticorrosive steel	EN10270-1 SH	
9	Cap	Brass	EN12165 CuZn39Pb2 H080	ASTM B 124
10	Screw	Stainless steel	EN10088-3 X5CrNi 18-10	AISI 304
11	Adjusting screw	Brass	EN12164 CuZn39Pb3 R360 mini	ASTM B 124
12	Cap cover	Brass	EN12164 CuZn39Pb3 R360 mini	ASTM B 124
13	Flat ring	NBR (Nitrile)		
14	Pressure gauge cap	Brass	EN12164 CuZn39Pb3 R360 mini	ASTM B 124
15	O-ring	NBR (Nitrile)		
16	Plug	Plastic		
17	Nut 4 positions	Brass	EN12164 CuZn39Pb3 R360 mini	ASTM B 124
18	Nut 3 positions	Brass	EN12164 CuZn39Pb3 R360 mini	ASTM B 124



Approvals

ACS

International construction Standards :

Pressure reducing valves EN 1567
Thread connection NF EN ISO 228

Application

MULTI 7 is an ideal pressure reducing valve for domestic water systems without specific requirements : individual supply for building sites (flats, houses...).

Factory preset at 3 bar, it protects the whole installation, facilitates the setting of mixing valves, and decreases the hammering and helps to avoid cracks and vibrations in the piping.

Thanks to its weak head losses, it helps to obtain normal flow during simultaneous pumping.

Installation

In domestic water supply the Multi 7 DESBORDES reducing valves are fitted just after the water meter and thus protect the whole installation. They can be fitted wherever a reducing pressure is needed.

If there is a frost risk, they should be drained.

Multi 7 multi-threaded (composite or brass cover) is issued with 3 reversible multi-threaded connectors with free nuts and present 16 different possibilities of connections in 1/2" and 3/4"

It can be fitted in any positions (horizontal, upright, upside down, fluid ascending or reversed and inclined...) if you respect the direction of flow as indicated by the arrow engrave on the body.

However if the circuit present a risk of back pressure or hammering we recommend to protect the pressure reducing valve with a check valve directly after its output.

Fonctionnement

Flow :

During water flow, water pressure exercised on the diaphragm decreases, which allows the spring to relax. The piston disc-yoke assembly moves towards the bottom to allow the water to pass.

Flow stoppage :

When water flow stops, the downstream pressure pushes on the diaphragm again, the spring goes back to its initial position, which leads to the valve closing, stopping water from flowing freely.

Setting

The adjustment must be done without flow ie no downstream outflow. The Multi 7 pressure reducing valve is factory pre-set at 3 bar.

They remain adjustable within a 1,5 bar to 5.5 bar range.

To increase the pressure, tighten the adjusting screw (clockwise as you look at the screw from above) To reduce the pressure, undo the adjusting screw (anticlockwise as you look at the screw from above), slightly open a tap for a moment, close again, then tighten the screw again until you obtain a desired pressure.

Water hammers can damage the reducing valve. When commissioning, open slowly and gradually the valve at the upstream side. A booster unit with a sudden start close to the pressure reducer requires the safety of an absorption tank. Just like by any intervention on the pipe work, the circuits must be rinsed beforehand.

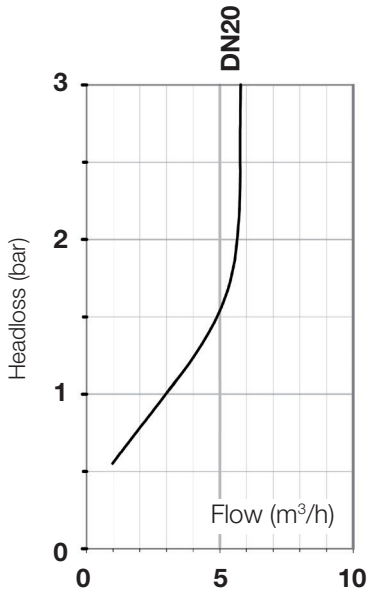
Max. upstream pressure : 16 bar.

Maintenance

Due to the special design, the Desbordes Multi 7 pressure reducing valve is not affected by scale or dirt and does not need any maintenance if is fitted by a professionnall.

Diaphragm, spring, seat, valve are largely dimensioned to allow precise and constant adjustment allowing a high flow.

Operation



Setting data : upstream 8 bar/downstream 3 bar

DN (mm)	Kv	Q max	Q at 2 m/s
20	3	5,8	2,26

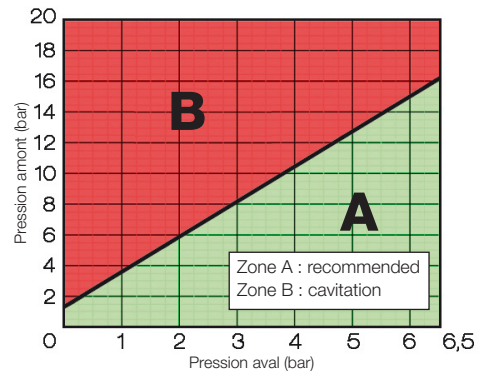
Kv : Flow in m³/h when the output pressure becomes 1 bar lower than its zero flow setting

MULTI 7 - Headloss chart

Cavitation

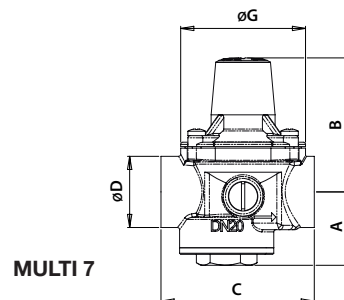
Checking if the differential of pressure, between the upstream and the desired downstream pressure, is not too large, is necessary to avoid cavitation risk. By putting in the graph hereafter, the upstream value and the desired downstream pressure, 2 results are possible :

- Zone A : The point is in the no-cavitation zone, normal duty
- Zone B : The point is in the cavitation zone : continuous operation in this zone can cause rapid damage of the internal parts. If the pressure reducing valve is to operate in this zone, contact us.



Sizing

DN	D		A	B	C	G
mm	"	mm	mm	mm	mm	mm
20	3/4	20/27	33	61	70	57



MULTI 7

The descriptions and photographs contained in this product specification sheet are supplied by way of information only and are not binding.

Socla reserves the right to carry out any technical and design improvements to its products without prior notice. Warranty : All sales and contracts for sale are expressly conditioned on the buyer's assent to Socla terms and conditions found on its website at www.socla.com. Socla hereby objects to any term, different from or additional to Socla terms, contained in any buyer communication in any form, unless agreed to in a writing signed by an officer of Socla.



A WATTS Brand

Socla sas

365 rue du Lieutenant Putier • 71530 Virey-Le-Grand • France

Tel. +33 03 85 97 42 00 • Fax +33 03 85 97 42 42

contact@wattswater.com • www.socla.com

ISO 9001 version 2015 / ISO 18001