

V3000

Ball valve

Shut off system

Technical Data Sheet



Description

- Can equip on all types of installations from heating systems, home water installations to heavy duty industrial applications at high pressure and temperature.
- Full bore



V3000

Ball valve - Shut off system

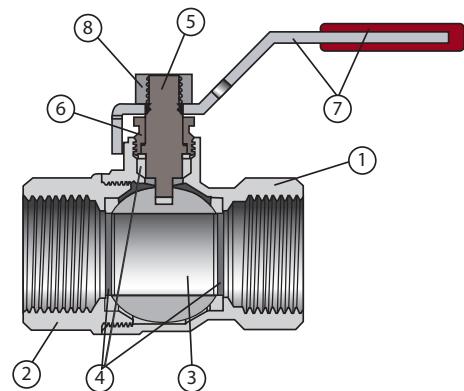
DN		PFA in bar	Ref.	Weight Kg
"	mm			
3/8	10	30	149B5039	0,115
1/2	15	30	149B5040	0,184
3/4	20	30	149B5041	0,260
1	25	30	149B5042	0,440
1 1/4	32	30	149B5043	0,616
1 1/2	40	30	149B5044	0,884
2	50	30	149B5045	1,407
2 1/2	65	30	149B5054	2,562
3	80	30	149B5055	3,631
4	100	30	149B5056	4,600

Technical features

Operating temperature	-20 °C to 120 °C
Permissible operating pressure (PFA) in water	30 Bar
Connection	Female / female, (BSPP)
Mediums	Drinking water and hot water

Nomenclature and materials

N°	Description	Materials	EURO
1	Body	Brass	CW617N
2	Nipple	Brass	CW617N
3	Ball	Brass	
4	Seat seal + Sealing gland	PTFE Brass Nickel	
5	Stem	Brass	CW614N
6	Sealing gland	Brass	
7	Hand lever	Geomet® steel + LDPE	
8	Locking screw	Geomet® steel	



Approvals

ACS

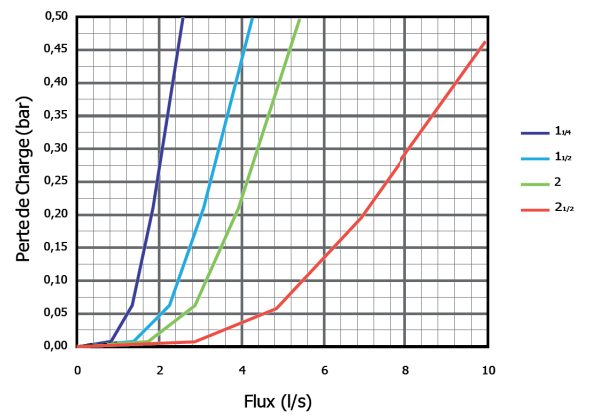
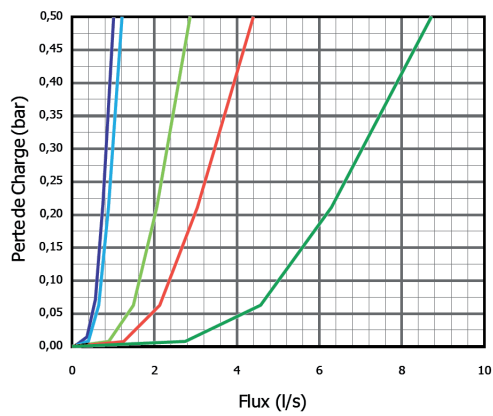
International construction Standards :
Thread connection according to EN ISO 228-1

Application

General process, heating and multi-fluid applications.

Operation

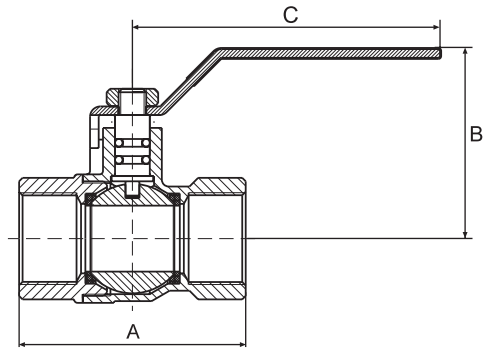
V3000 - Headloss chart



Sizing

DN		A	B	C
"	mm	mm	mm	mm
3/8	10	44	40	70
1/2	15	48	49	93
3/4	20	57	53	93
1	25	67	61	113
1 1/4	32	76	66	113
1 1/2	40	90	74	153
2	50	107	81	153
2 1/2	65	134	90	173
3	80	152	116	238
4	100	169	124	238

V3000



The descriptions and photographs contained in this product specification sheet are supplied by way of information only and are not binding.

Socla reserves the right to carry out any technical and design improvements to its products without prior notice. Warranty : All sales and contracts for sale are expressly conditioned on the buyer's assent to Socla terms and conditions found on its website at www.socla.com. Socla hereby objects to any term, different from or additional to Socla terms, contained in any buyer communication in any form, unless agreed to in a writing signed by an officer of Socla.



A WATTS Brand

Socla sas

365 rue du Lieutenant Putier • 71530 Virey-Le-Grand • France

Tel. +33 03 85 97 42 00 • Fax +33 03 85 97 42 42

contact@wattswater.com • www.socla.com

ISO 9001 version 2015 / ISO 18001